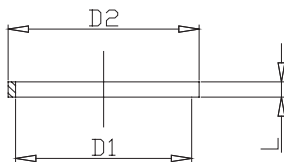
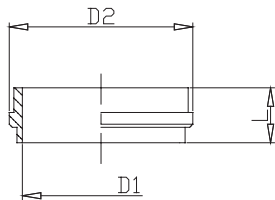
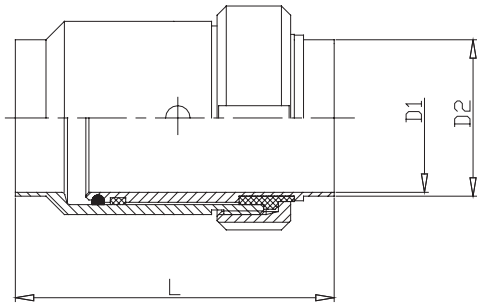


# DREHROHR SWIVEL JOINT UNION (TURN PIPE)



Ohne Bild / without picture

## DIN

### Drehrohr, 2x Schweißende DIN 11850 Swivel joint union, 2x welded ends DIN 11850

| DN  | Typ Type      | Ø D1              | Ø D2 | L   |
|-----|---------------|-------------------|------|-----|
| 25  | <b>25D76</b>  | a.A. upon request |      |     |
| 40  | <b>40D76</b>  | a.A. upon request |      |     |
| 50  | <b>50D76</b>  | a.A. upon request |      |     |
| 65  | <b>65D76</b>  | 66                | 70   | 104 |
| 80  | <b>80D76</b>  | 81                | 85   | 104 |
| 100 | <b>100D76</b> | a.A. upon request |      |     |

### Führungsring für Drehrohr, PTFE Steering ring for swivel joint union, PTFE

| DN  | Typ Type      | Ø D1              | Ø D2 | L  |
|-----|---------------|-------------------|------|----|
| 25  |               | a.A. upon request |      |    |
| 40  |               | a.A. upon request |      |    |
| 50  |               | a.A. upon request |      |    |
| 65  | <b>76S761</b> | 76                | 85,5 | 18 |
| 80  | <b>80D761</b> | 85                | 92,5 | 18 |
| 100 |               | a.A. upon request |      |    |

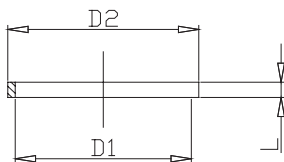
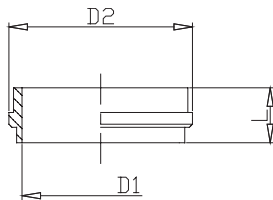
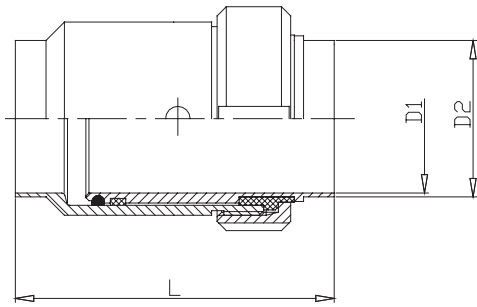
### Gleitring für Drehrohr, PTFE Slip ring for swivel joint union, PTFE

| DN  | Typ Type      | Ø D1              | Ø D2 | L |
|-----|---------------|-------------------|------|---|
| 25  |               | a.A. upon request |      |   |
| 40  |               | a.A. upon request |      |   |
| 50  |               | a.A. upon request |      |   |
| 65  | <b>76S762</b> | 78                | 82,5 | 5 |
| 80  | <b>80D762</b> | 85                | 89   | 5 |
| 100 |               | a.A. upon request |      |   |

### O-Ring für Drehrohr O-ring for swivel joint union

| DN  | Typ Type            |                     |
|-----|---------------------|---------------------|
|     | EPDM                | FPM (Viton®)        |
| 25  | a.A. upon request   | a.A. upon request   |
| 40  | a.A. upon request   | a.A. upon request   |
| 50  | a.A. upon request   | a.A. upon request   |
| 65  | <b>65-76SD763-E</b> | <b>65-76SD763-V</b> |
| 80  | <b>80D763-E</b>     | <b>80D763-V</b>     |
| 100 | a.A. upon request   | a.A. upon request   |

# DREHROHR SWIVEL JOINT UNION (TURN PIPE)



Ohne Bild / without picture

# SMS

## Drehrohr, 2x Schweißende SMS Swivel joint union, 2x welded ends SMS

| DN  | Typ Type      | Ø D1 | Ø D2  | L   |
|-----|---------------|------|-------|-----|
| 25  | <b>25S76</b>  | 22,5 | 25    | 98  |
| 38  | <b>38S76</b>  | 35,5 | 38    | 98  |
| 51  | <b>51S76</b>  | 48,5 | 51    | 104 |
| 63  | <b>63S76</b>  | 60,5 | 63,5  | 104 |
| 76  | <b>76S76</b>  | 72   | 76    | 104 |
| 102 | <b>102S76</b> | 97,6 | 101,6 | 108 |

## Führungsring für Drehrohr, PTFE Steering ring for swivel joint union, PTFE

| DN  | Typ Type       | Ø D1  | Ø D2  | L  |
|-----|----------------|-------|-------|----|
| 25  | <b>25S761</b>  | 25    | 32,5  | 18 |
| 38  | <b>38S761</b>  | 38    | 46,5  | 18 |
| 51  | <b>51S761</b>  | 51    | 59,5  | 18 |
| 63  | <b>63S761</b>  | 63,5  | 72,5  | 18 |
| 76  | <b>76S761</b>  | 76    | 85,5  | 18 |
| 102 | <b>102S761</b> | 101,6 | 113,5 | 23 |

## Gleitring für Drehrohr, PTFE Slip ring for swivel joint union, PTFE

| DN  | Typ Type       | Ø D1 | Ø D2 | L |
|-----|----------------|------|------|---|
| 25  | <b>25S762</b>  | 26   | 30,4 | 5 |
| 38  | <b>38S762</b>  | 39   | 43,5 | 5 |
| 51  | <b>51S762</b>  | 52   | 56,5 | 5 |
| 63  | <b>63S762</b>  | 65   | 69,5 | 5 |
| 76  | <b>76S762</b>  | 78   | 82,5 | 5 |
| 102 | <b>102S762</b> | 103  | 108  | 5 |

## O-Ring für Drehrohr O-ring for swivel joint union

| DN  | Typ Type            |                     |
|-----|---------------------|---------------------|
|     | EPDM                | FPM (Viton®)        |
| 25  | <b>25S763-E</b>     | <b>25S763-V</b>     |
| 38  | <b>38S763-E</b>     | <b>38S763-V</b>     |
| 51  | <b>51S763-E</b>     | <b>51S763-V</b>     |
| 63  | <b>63S763-E</b>     | <b>63S763-V</b>     |
| 76  | <b>65-76SD763-E</b> | <b>65-76SD763-V</b> |
| 102 | <b>102S763-E</b>    | <b>102S763-V</b>    |